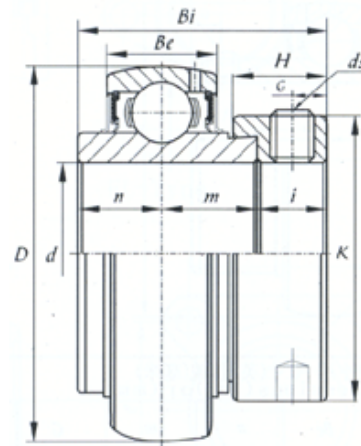
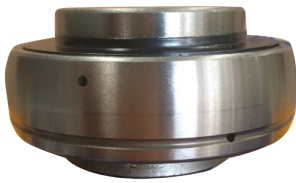


NA Series



| select | Inquiry | Bearing No. | d | | Dimensions [mm] | | | | | | | | Basic Load Rating (kN) | | |
|----------|---------|-------------|------|-------|-----------------|------|------|------|------|-----|------------|------|------------------------|---------|--------|
| | | | (mm) | (in.) | D | Be | Bi | B1 | n | K | H | G | ds | Dynamic | Static |
| NA213-40 | 63.5 | 2 1/2 | 120 | 28 | 85.7 | 68.6 | 34.1 | 86 | 23.5 | 8.5 | 3/8-24UNF | 5700 | 4000 | | |
| NA212 | 60 | | 110 | 27 | 77.8 | 62 | 31 | 84.2 | 22.3 | 8 | M10x1.25 | 4750 | 3250 | | |
| NA212-36 | 57.15 | 2 1/4 | 110 | 27 | 77.8 | 62 | 31 | 84.2 | 22.3 | 8 | 3/8-24UNF | 4750 | 3250 | | |
| NA211-35 | 55.563 | 2 3/16 | 100 | 25 | 71.4 | 55.6 | 27.8 | 76.2 | 20.7 | 8 | 3/8-24UNF | 4350 | 2900 | | |
| NA211 | 55 | | 100 | 25 | 71.4 | 55.6 | 27.8 | 76.2 | 20.7 | 8 | M10x1.25 | 4350 | 2900 | | |
| NA210-32 | 50.8 | 2 | 90 | 24 | 62.7 | 49.2 | 24.6 | 69.9 | 18.3 | 6.5 | 5/16-24UNF | 3500 | 2300 | | |
| NA211-32 | 50.8 | 2 | 100 | 25 | 71.4 | 55.6 | 27.8 | 76.2 | 20.7 | 8 | 3/8-24UNF | 4350 | 2900 | | |
| NA210 | 50 | | 90 | 24 | 62.7 | 49.2 | 24.6 | 69.9 | 18.3 | 6.5 | M8x1 | 3500 | 2300 | | |
| NA209-26 | 41.275 | 1 5/8 | 85 | 22 | 56.3 | 42.8 | 21.4 | 63.5 | 18.3 | 6.5 | 5/16-24UNF | 3180 | 2050 | | |
| NA209-27 | 42.863 | 1 11/16 | 85 | 22 | 56.3 | 42.8 | 21.4 | 63.5 | 18.3 | 6.5 | 5/16-24UNF | 3180 | 2050 | | |
| NA210-31 | 49.213 | 1 15/16 | 90 | 24 | 62.7 | 49.2 | 24.6 | 69.9 | 18.3 | 6.5 | 5/16-24UNF | 3500 | 2300 | | |
| NA209 | 45 | | 85 | 22 | 56.3 | 42.8 | 21.4 | 63.5 | 18.3 | 6.5 | M8x1 | 3180 | 2050 | | |
| NA209-28 | 44.45 | 1 3/4 | 85 | 22 | 56.3 | 42.8 | 21.4 | 63.5 | 18.3 | 6.5 | 5/16-24UNF | 3180 | 2050 | | |
| NA208 | 40 | | 80 | 21 | 56.3 | 42.8 | 21.4 | 60.3 | 18.3 | 6.5 | M8x1 | 2950 | 1800 | | |
| NA207 | 35 | | 72 | 20 | 51.1 | 37.6 | 18.8 | 55.6 | 17.5 | 6.5 | M8x1 | 2550 | 1500 | | |
| NA207-23 | 36.513 | 1 7/16 | 72 | 20 | 51.1 | 37.6 | 18.8 | 55.6 | 17.5 | 6.5 | 5/16-24UNF | 2550 | 1500 | | |
| NA208-25 | 39.688 | 1 9/16 | 80 | 21 | 56.3 | 42.8 | 21.4 | 60.3 | 18.3 | 6.5 | 5/16-24UNF | 2950 | 1800 | | |
| NA208-24 | 38.1 | 1 1/2 | 80 | 21 | 56.3 | 42.8 | 21.4 | 60.3 | 18.3 | 6.5 | 5/16-24UNF | 2950 | 1800 | | |
| NA206-20 | 31.75 | 1 1/4 | 62 | 19 | 48.4 | 36.6 | 18.3 | 44.5 | 15.9 | 6 | 5/16-24UNF | 1900 | 1100 | | |
| NA207-20 | 31.75 | 1 1/4 | 72 | 20 | 51.1 | 37.6 | 18.8 | 55.6 | 17.5 | 6.5 | 5/16-24UNF | 2550 | 1500 | | |
| NA207-22 | 34.925 | 1 3/8 | 72 | 20 | 51.1 | 37.6 | 18.8 | 55.6 | 17.5 | 6.5 | 5/16-24UNF | 2550 | 1500 | | |
| NA206-19 | 30.163 | 1 3/16 | 62 | 19 | 48.4 | 36.6 | 18.3 | 44.5 | 15.9 | 6 | 5/16-24UNF | 1900 | 1100 | | |
| NA206 | 30 | | 62 | 19 | 48.4 | 36.6 | 18.3 | 44.5 | 15.9 | 6 | M8x1 | 1900 | 1100 | | |

NA Series

| | | | | | | | | | | | | | |
|----------|--------|-------|----|----|------|------|------|------|------|---|------------|------|------|
| NA205-15 | 23.813 | 15/16 | 52 | 17 | 44.4 | 35 | 17.5 | 38.1 | 13.5 | 5 | 1/4-28UNF | 1400 | 750 |
| NA205 | 25 | | 52 | 17 | 44.4 | 35 | 17.5 | 38.1 | 13.5 | 5 | M6x1 | 1400 | 750 |
| NA205-16 | 25.4 | 1 | 52 | 17 | 44.4 | 35 | 17.5 | 38.1 | 13.5 | 5 | 1/4-28UNF | 1400 | 750 |
| NA206-18 | 28.575 | 1 1/8 | 62 | 19 | 48.4 | 36.6 | 18.3 | 44.5 | 15.9 | 6 | 5/16-24UNF | 1900 | 1100 |
| NA205-14 | 22.225 | 7/8 | 52 | 17 | 44.4 | 35 | 17.5 | 38.1 | 13.5 | 5 | 1/4-28UNF | 1400 | 750 |
| NA204 | 20 | | 47 | 17 | 43.7 | 34.2 | 17.1 | 33.3 | 13.5 | 5 | M6x1 | 1250 | 650 |
| NA204-12 | 19.05 | 3/4 | 47 | 17 | 43.7 | 34.2 | 17.1 | 33.3 | 13.5 | 5 | 1/4-28UNF | 1250 | 650 |