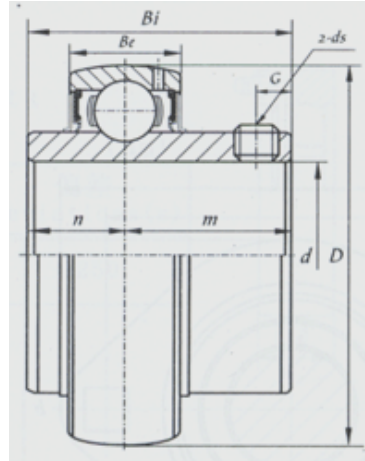


## UC300 Series



| select   | Inquiry Bearing No. |       | d    |       | Dimensions [mm] |    |    |    |            | G ds |
|----------|---------------------|-------|------|-------|-----------------|----|----|----|------------|------|
|          |                     |       | (mm) | (in.) | D               | Bi | Be | n  | m          |      |
| UC328    | 140                 |       | 300  | 145   | 72              | 59 | 86 | 20 | M20x1.5    |      |
| UC324    | 120                 |       | 260  | 126   | 64              | 51 | 75 | 20 | M18x1.5    |      |
| UC326    | 130                 |       | 280  | 135   | 68              | 54 | 81 | 20 | M20x1.5    |      |
| UC322    | 110                 |       | 240  | 117   | 60              | 46 | 71 | 20 | M18x1.5    |      |
| UC320-64 | 101.6               | 4     | 215  | 108   | 54              | 42 | 66 | 18 | 5/8-18UNF  |      |
| UC320    | 100                 |       | 215  | 108   | 54              | 42 | 66 | 18 | M18x1.5    |      |
| UC318    | 90                  |       | 190  | 96    | 48              | 40 | 56 | 16 | M16x1.5    |      |
| UC319    | 95                  |       | 200  | 103   | 50              | 41 | 62 | 16 | M16x1.5    |      |
| UC318-56 | 88.9                | 3.5   | 190  | 96    | 48              | 40 | 56 | 16 | 5/8-18UNF  |      |
| UC317    | 85                  |       | 180  | 96    | 46              | 40 | 56 | 16 | M16x1.5    |      |
| UC317-52 | 82.55               | 3.25  | 180  | 96    | 46              | 40 | 56 | 16 | 5/8-18UNF  |      |
| UC316-50 | 79.375              | 3 1/8 | 170  | 86    | 44              | 34 | 52 | 14 | 9/16-18UNF |      |
| UC316    | 80                  |       | 170  | 86    | 44              | 34 | 52 | 14 | M14x1.5    |      |
| UC315-48 | 76.2                | 3     | 160  | 82    | 42              | 32 | 50 | 14 | 9/16-18UNF |      |
| UC314    | 70                  |       | 150  | 78    | 40              | 33 | 45 | 12 | M12x1.5    |      |
| UC315    | 75                  |       | 160  | 82    | 42              | 32 | 50 | 14 | M14x1.5    |      |
| UC314-44 | 69.85               | 2.75  | 150  | 78    | 40              | 33 | 45 | 12 | 1/2-20UNF  |      |
| UC313-40 | 63.5                | 2 1/2 | 140  | 75    | 38              | 30 | 45 | 12 | 1/2-20UNF  |      |
| UC313    | 65                  |       | 140  | 75    | 38              | 30 | 45 | 12 | M12x1.5    |      |

UC300 Series

|          |        |        |     |    |    |    |    |    |           |
|----------|--------|--------|-----|----|----|----|----|----|-----------|
| UC312-38 | 60.325 | 2 3/8  | 130 | 71 | 36 | 26 | 45 | 12 | 1/2-20UNF |
| UC312-39 | 61.913 | 2 7/16 | 130 | 71 | 36 | 26 | 45 | 12 | 1/2-20UNF |
| UC312    | 60     |        | 130 | 71 | 36 | 26 | 45 | 12 | M12x1.5   |
| UC311    | 55     |        | 120 | 66 | 34 | 25 | 41 | 12 | M12x1.5   |
| UC311-35 | 55.563 | 2.1875 | 120 | 66 | 34 | 25 | 41 | 12 | 1/2-20UNF |
| UC312-36 | 57.15  | 2 1/4  | 130 | 71 | 36 | 26 | 45 | 12 | 1/2-20UNF |
| UC310    | 50     |        | 110 | 61 | 32 | 22 | 39 | 12 | M12x1.5   |
| UC311-32 | 50.8   | 2      | 120 | 66 | 34 | 25 | 41 | 12 | 1/2-20UNF |
| UC311-34 | 53.975 | 2.125  | 120 | 66 | 34 | 25 | 41 | 12 | 1/2-20UNF |
| UC310-30 | 47.625 | 1.875  | 110 | 61 | 32 | 22 | 39 | 12 | 1/2-20UNF |
| UC310-31 | 49.213 | 1.9375 | 110 | 61 | 32 | 22 | 39 | 12 | 1/2-20UNF |