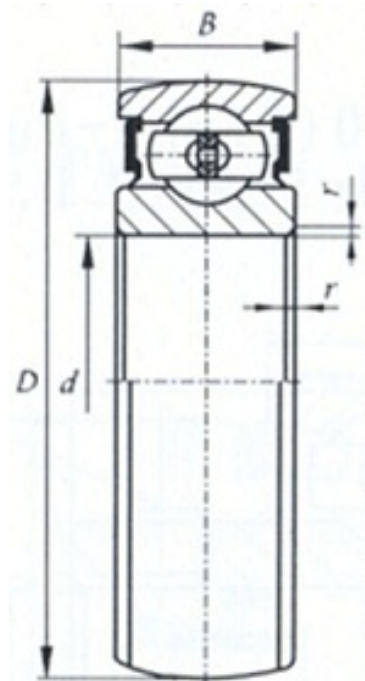


## CS Series



| select | Inquiry | Bearing Designation | Dimension [mm] |    |    |     |       | Basic load ratings (kN) |     |
|--------|---------|---------------------|----------------|----|----|-----|-------|-------------------------|-----|
|        |         |                     | d              | D  | C  | B   | r min | Cr                      | Cor |
|        | CS201   | 12                  | 32             | 10 | 10 | 0.6 | 680   | 300                     |     |
|        | CS202   | 15                  | 35             | 11 | 11 | 0.6 | 760   | 370                     |     |
|        | CS203   | 17                  | 40             | 12 | 12 | 0.6 | 960   | 480                     |     |
|        | CS204   | 20                  | 47             | 14 | 14 | 1   | 1280  | 660                     |     |
|        | CS205   | 25                  | 52             | 15 | 15 | 1   | 1400  | 790                     |     |
|        | CS305   | 25                  | 62             | 17 | 17 | 1.1 | 2250  | 1150                    |     |
|        | CS206   | 30                  | 62             | 16 | 16 | 1   | 1950  | 1150                    |     |
|        | CS306   | 30                  | 72             | 19 | 19 | 1.1 | 2700  | 1500                    |     |
|        | CS207   | 35                  | 72             | 17 | 17 | 1.1 | 2550  | 1500                    |     |
|        | CS307   | 35                  | 80             | 21 | 21 | 1.5 | 3350  | 1920                    |     |
|        | CS208   | 40                  | 80             | 18 | 18 | 1.1 | 2950  | 1800                    |     |
|        | CS308   | 40                  | 90             | 23 | 23 | 1.5 | 4080  | 2400                    |     |
|        | CS209   | 45                  | 85             | 19 | 19 | 1.1 | 3150  | 2080                    |     |
|        | CS309   | 45                  | 100            | 25 | 25 | 1.5 | 5280  | 3150                    |     |
|        | CS210   | 50                  | 90             | 20 | 20 | 1.1 | 3500  | 2320                    |     |
|        | CS310   | 50                  | 110            | 27 | 27 | 2   | 6180  | 3800                    |     |